



# INSTRUCTIONS

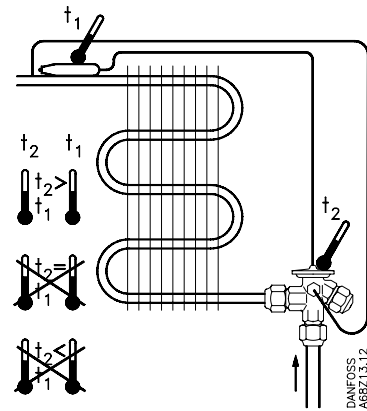
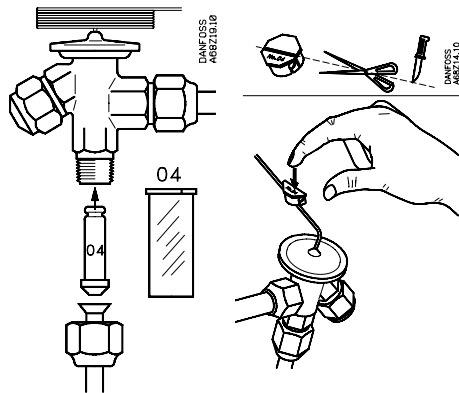
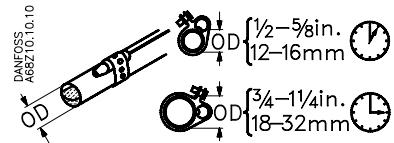
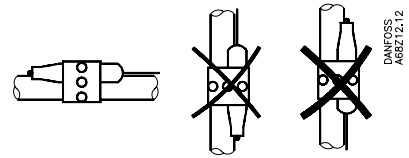
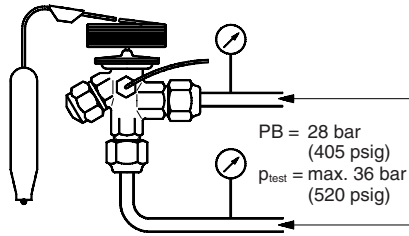
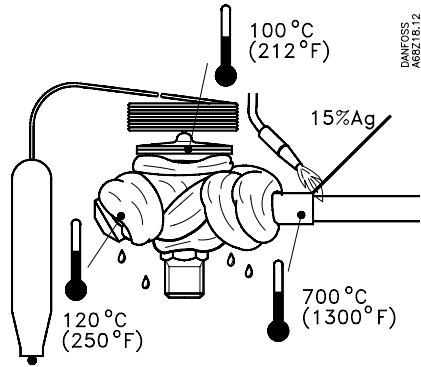
## T 2/ TE 2

### with steel cap. tube

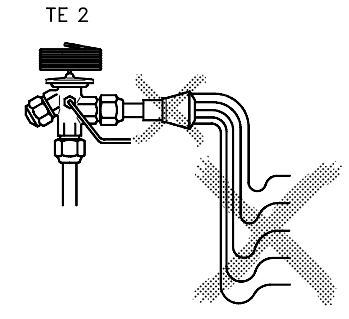
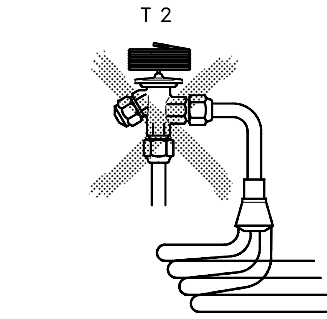
068R9536

068R9536

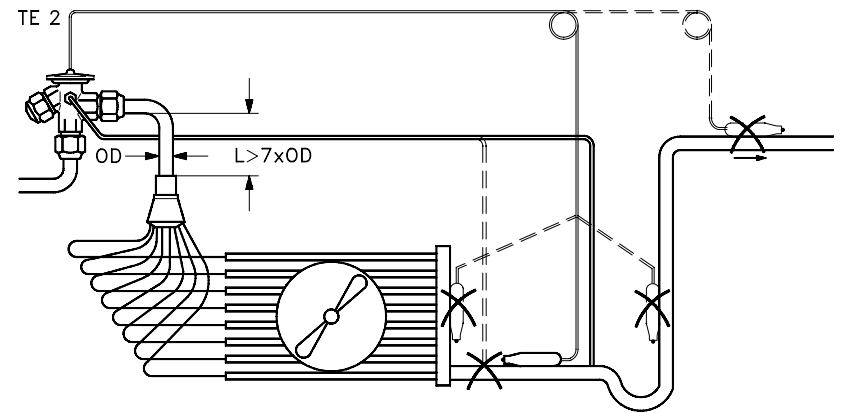
543



T2 MOP, TE2 MOP: t<sub>2</sub> > t<sub>1</sub>



DANFOSS A6BZ11.12



SH = SuperHeat

N, B	N, NL
5 °C (9 °F)	4 °C (7 °F)
B <sub>MOP</sub>	B <sub>MOP</sub>

DANFOSS A6BZ15.12

